



**MANDAKO**



**HEADER STORAGE UNIT**

**25' 35' & 45' UNITS**

**PARTS MANUAL**

Machine Overview A..... 2

Machine Overview B ..... 3

Machine Overview C..... 4

Pintle Hitch Assembly ..... 5

Suspension Steering Assembly ..... 6

Rear Offset Axle Assembly..... 7

Light Assembly ..... 8

Header Rest Assembly..... 9

Header Rest Options..... 10

Flex Support Bar Assembly..... 11

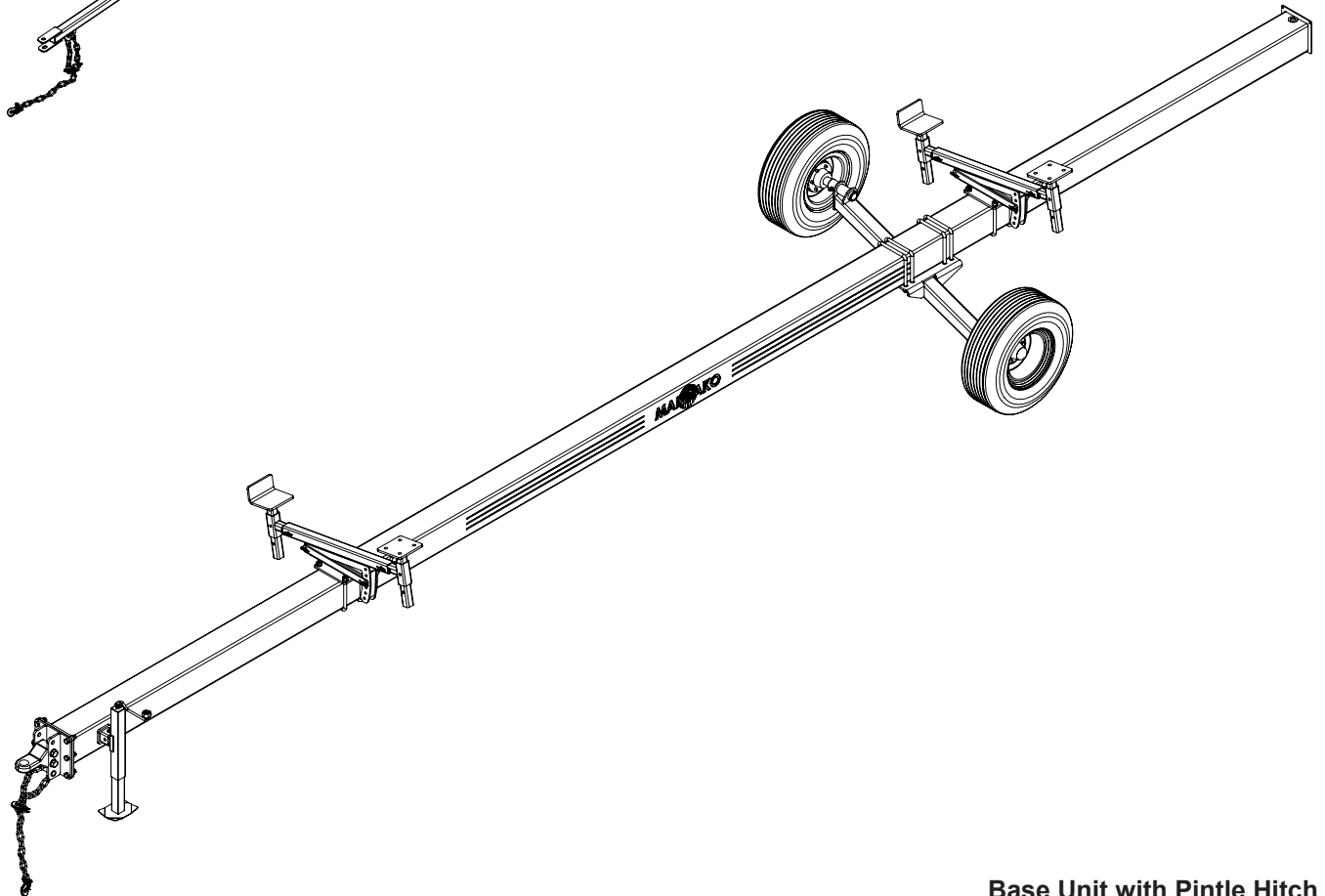
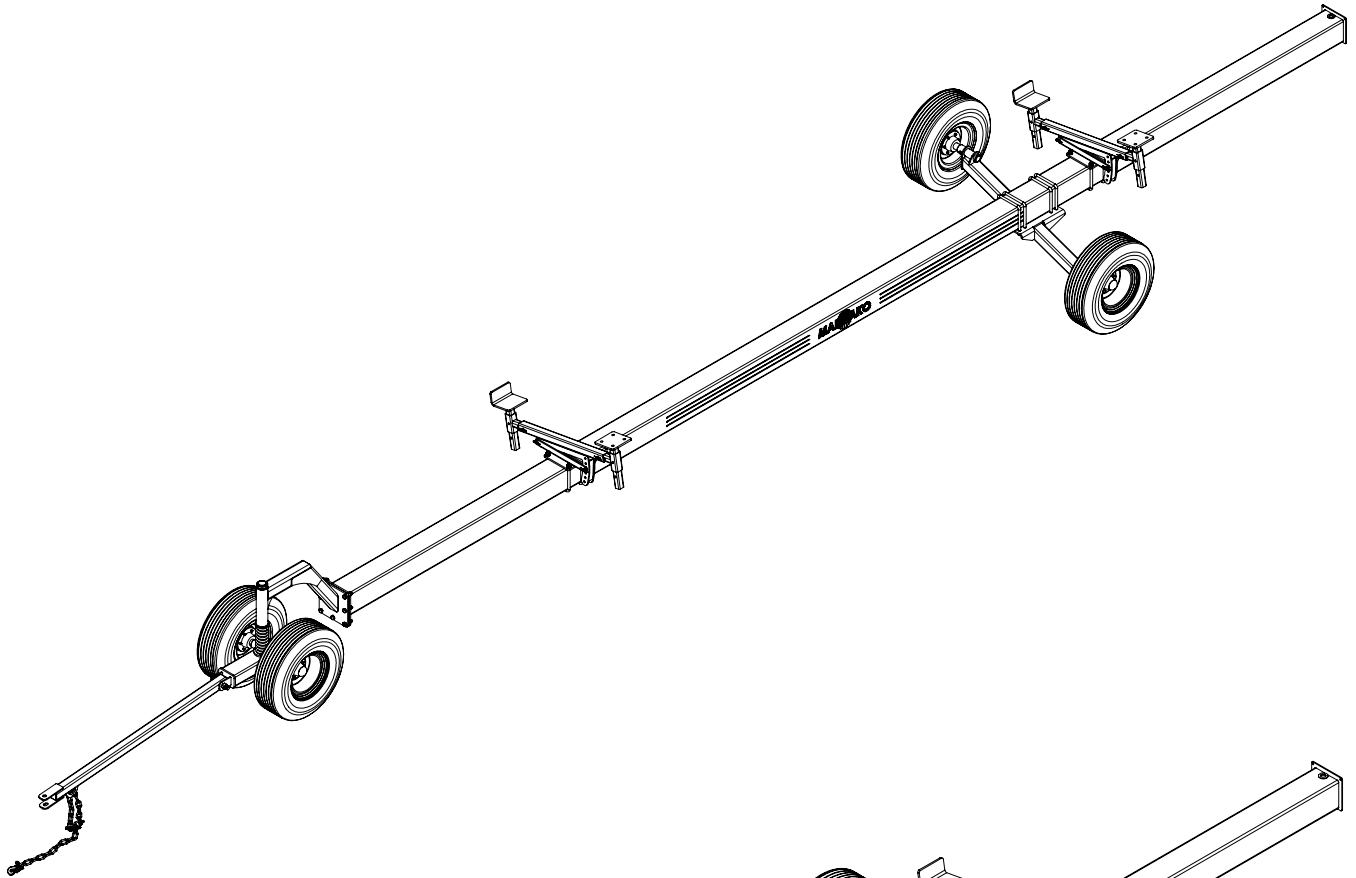
Hub & Spindle Assembly ..... 12

Notes..... 13

Model #: \_\_\_\_\_

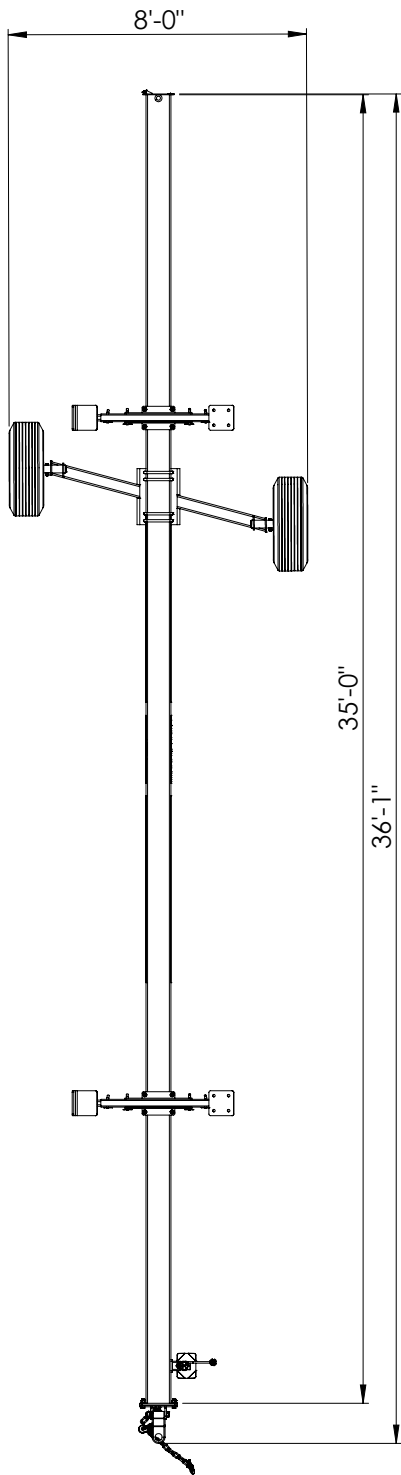
Serial #: \_\_\_\_\_

**Base Unit with Suspension Steering**

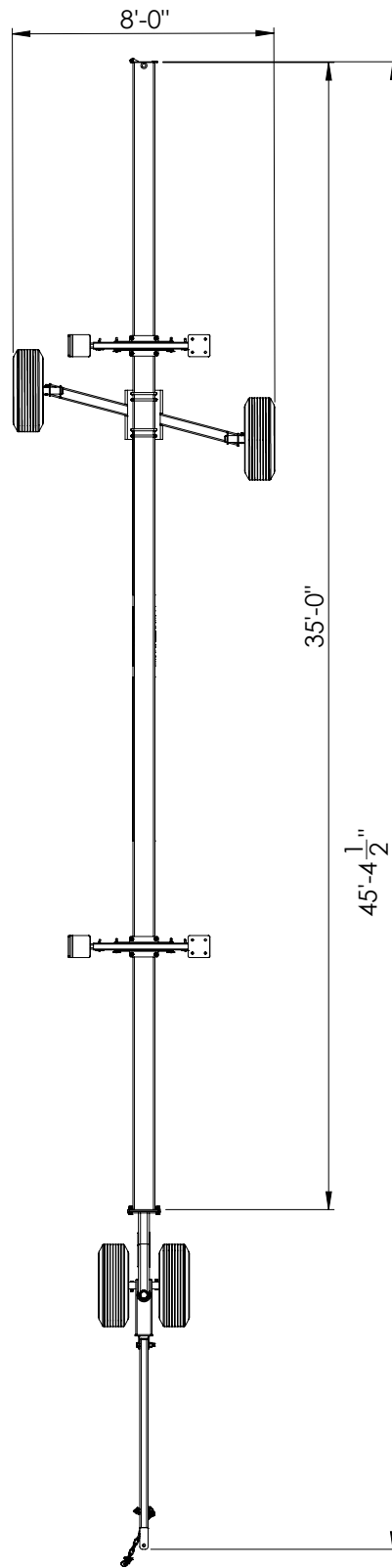


**Base Unit with Pintle Hitch**

**35' Header Storage Unit**

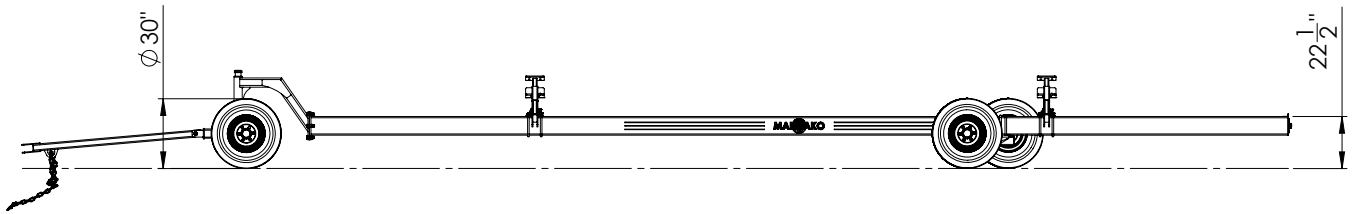


**Pintle Hitch Model**

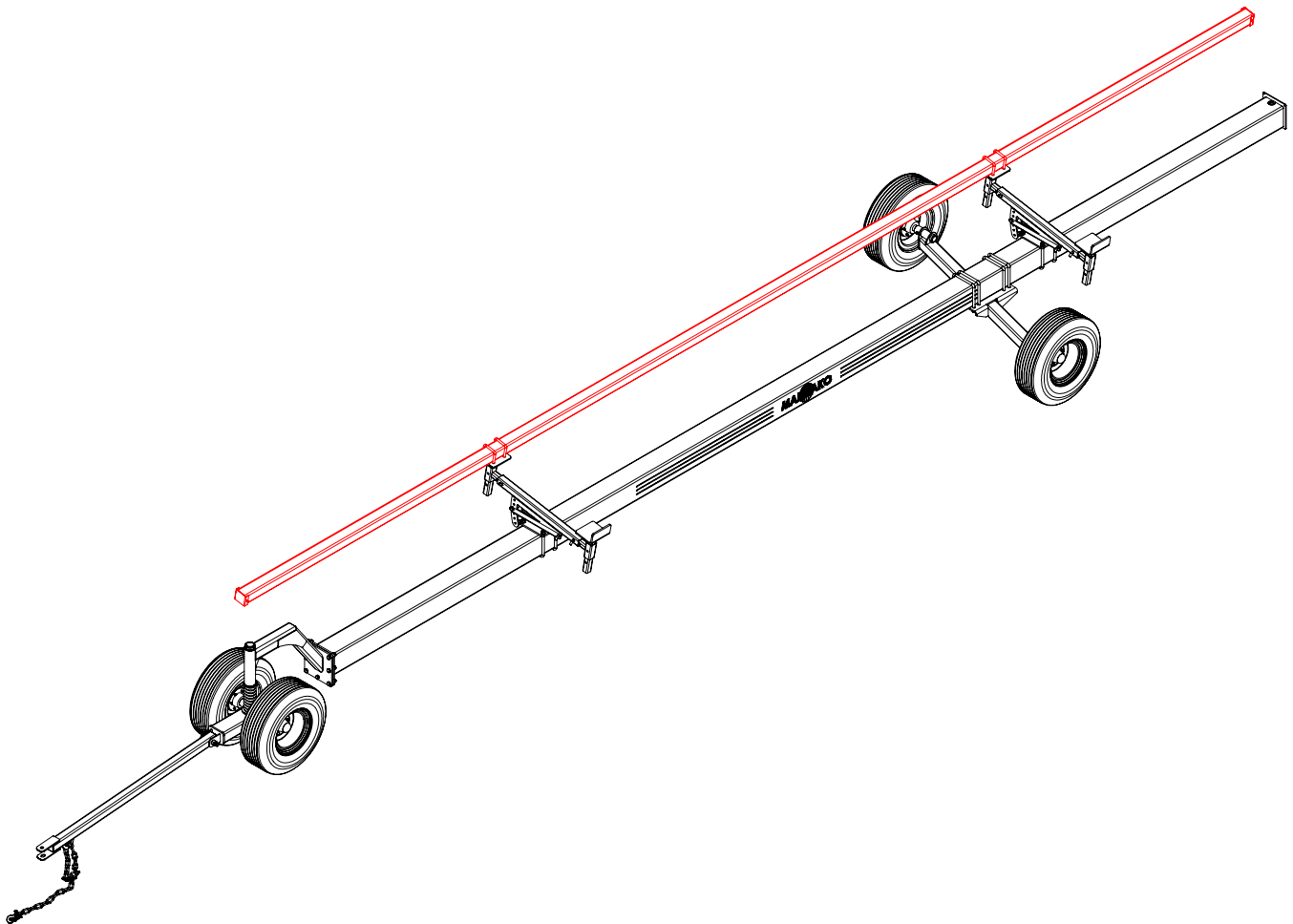


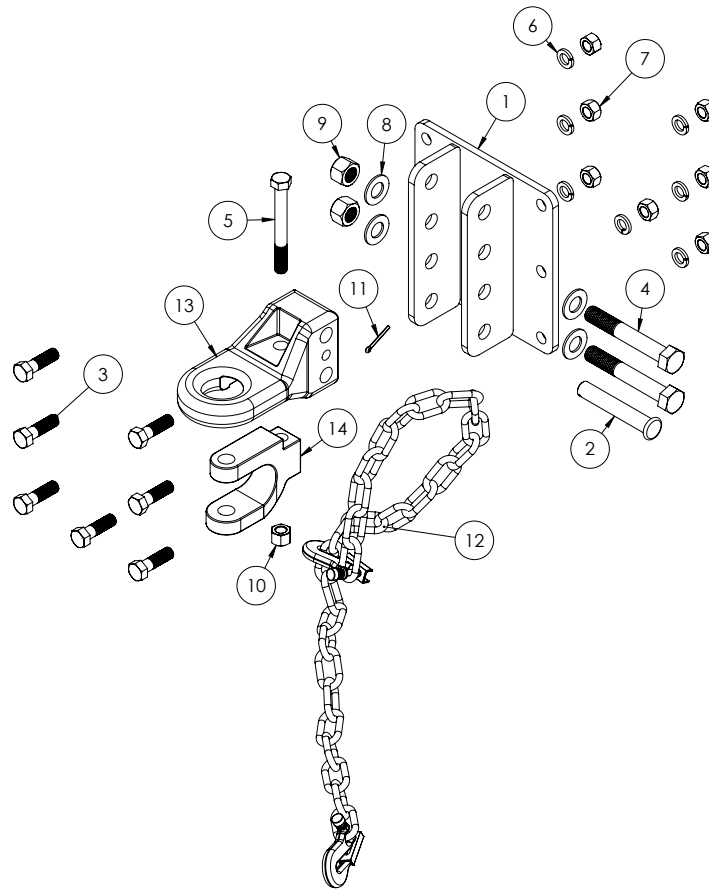
**Suspension Steering Model**

Unit	Pintle Hitch Model	Suspension Steering Model
25'	26'-1"	35'-4-1/2"
45'	46'-1"	55'-4-1/2"



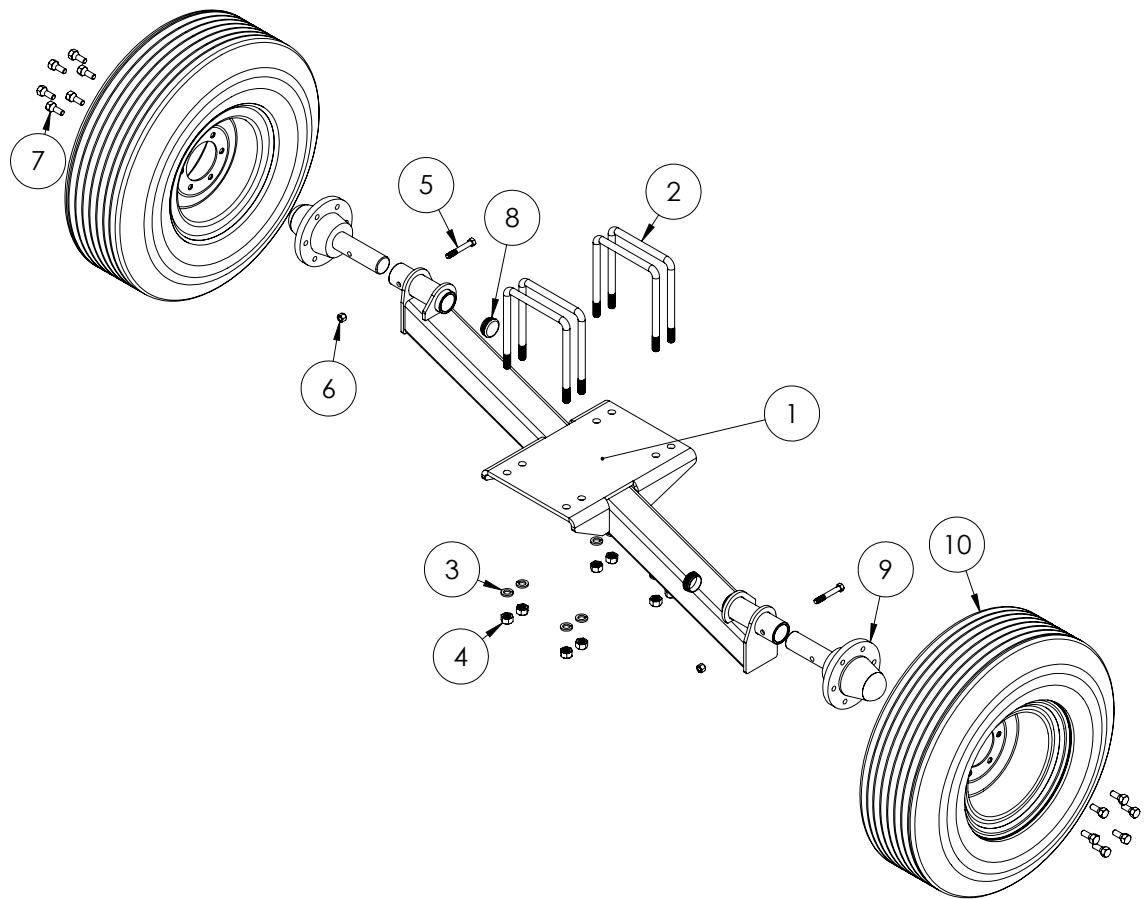
Flex Support Bar - See page 11





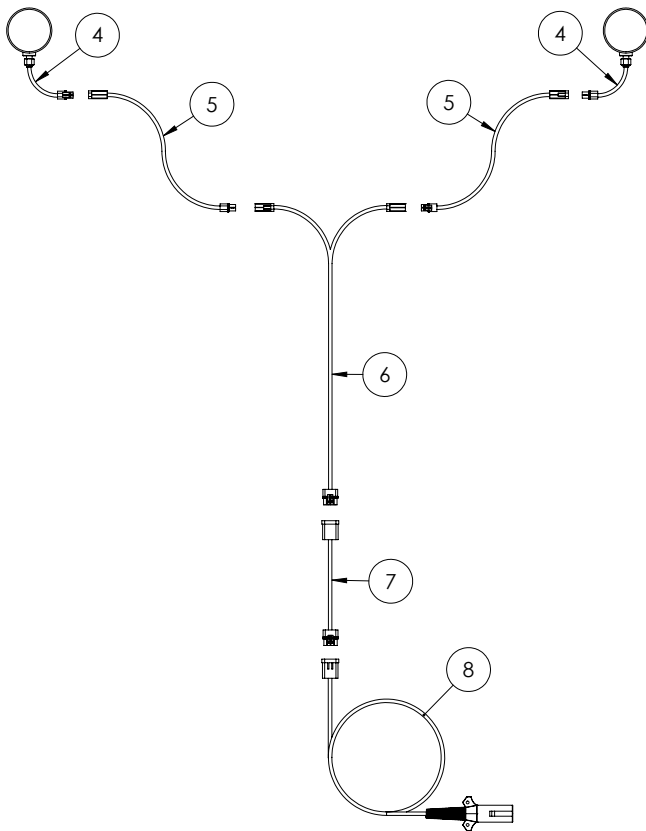
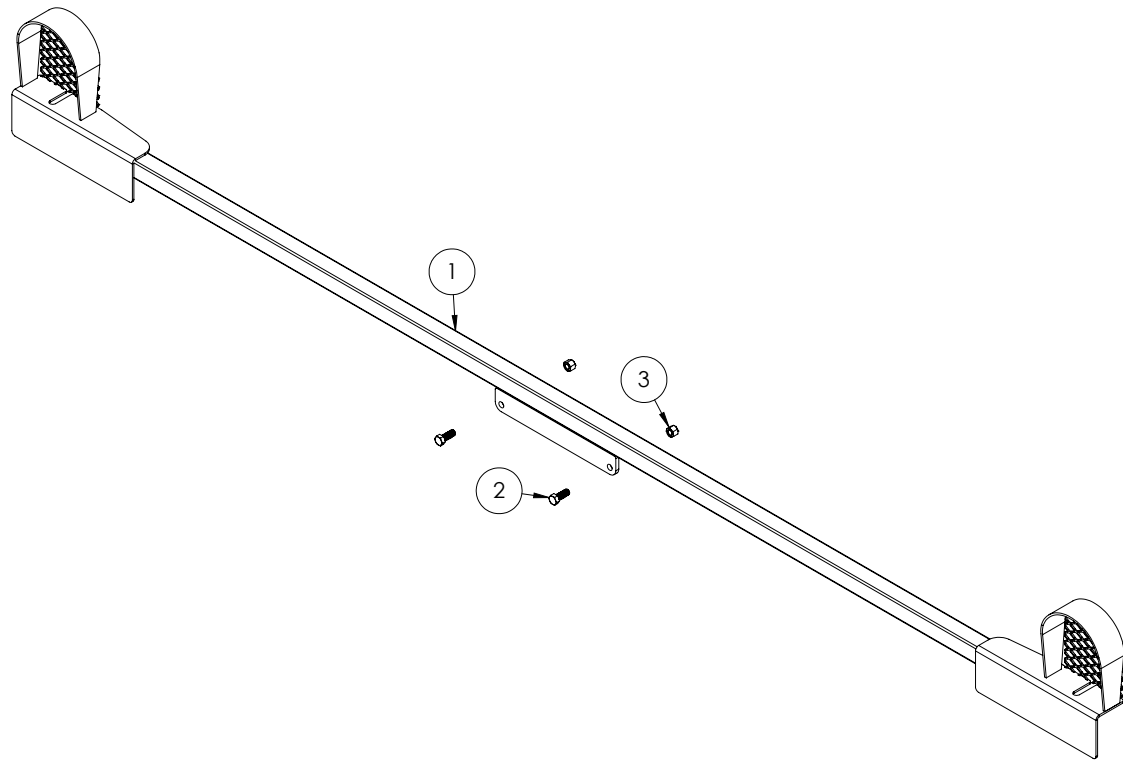
Item	Part #	Description	Quantity
1	WC009001	Pintle Hitch Bracket	1
2	R0810601	Pin, Clevis, Safety Chain: 1"x 6"	1
3	R0120925	Bolt, Grd 5: (Fine) 3/4"x 2-1/2"	7
4	R0131168	Bolt, Grd 8: 1"x 6-3/4"	2
5	R0130965	Bolt, Grd 8: 3/4"x 6-1/2" *optional*	1
6	R0610009	Washer, Lock: 3/4"	7
7	R0340109	Nut, Grd 8: (Fine) 3/4"	7
8	R0530111	Washer, Flat: 1"	2
9	R0430111	Nut, Lock, Grd 8: 1"	2
10	R0410309	Nut, Lock: 3/4" *optional*	1
11	R1619251	Pin, Cotter: 3/16"x 1.5"	1
12	R9910001	Chain, Safety: 3/8"	1
13	R9901003	Hitch, Pintle, Cat 3 - 2 on 3" Holes	1
14	R9901005	Hitch, Clevis Insert, Cat 3 *optional*	1



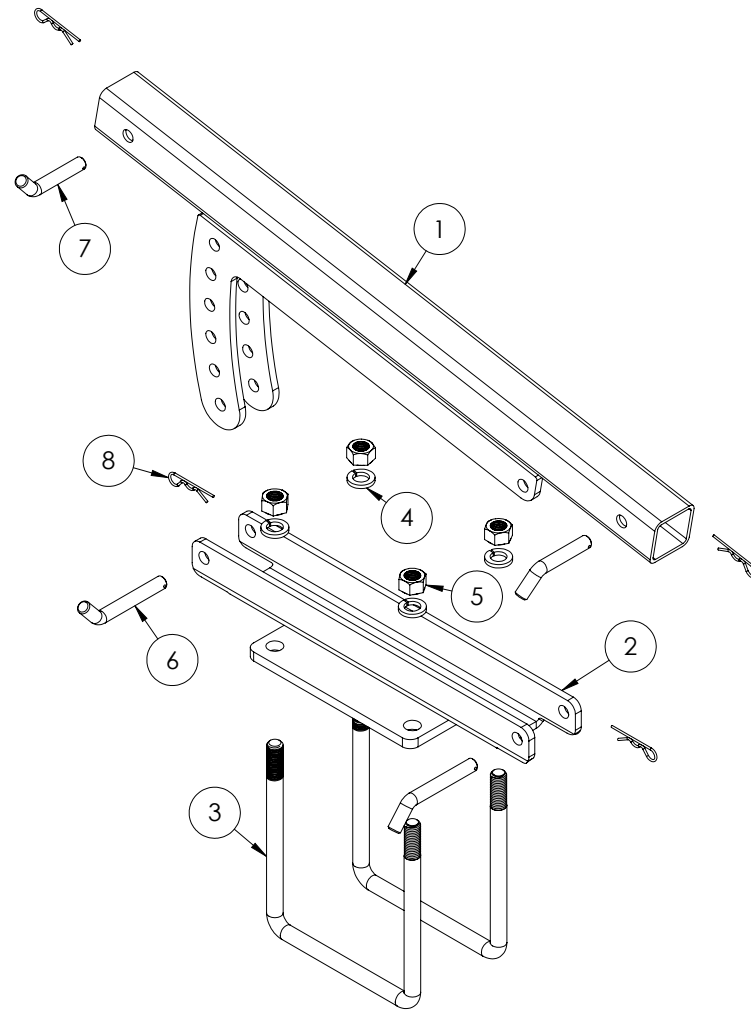


Item	Part #	Description	Quantity
1	WC009010	Axle Frame	1
2	R0239810	U-Bolt, Grd 8: 3/4", 8" x 10" Square	4
3	R0610009	Washer, Lock: 3/4"	8
4	R0330109	Nut, Grd 8: 3/4"	8
5	R0130635	Bolt, Grd 8: 1/2" x 3-1/2"	2
6	R0430106	Nut, Lock, Grd 8: 1/2"	2
7	R0150713	Bolt, 90° Lug, (Fine): 9/16" x 1-1/4"	12
8	R9900001	Spindle Reciever Plastic End Cap	2
9	R9903006	Assy, Wheel, Hub / Spindle 6-6 bolt	2
10a	KW100001	Assy, Tire & Wheel (ST235/80/R16 on 6"-6 Bolt Wheel)	2
10b	KW100007	Assy, Tire & Wheel (ST235/80R16 10 PR)	2



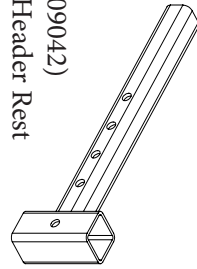


Item	Part #	Description	Quantity
1	WC009009	Light Bracket Main	1
2	R0130410	Bolt, Grd 8: 3/8" x 1"	2
3	R0430104	Nut, Lock: 3/8"	2
4	R1701002	Light, LED, 4" Round (Amber/Red)	2
5	R1704001	Harness, Right/Left	2
6	R1735001	Harness, Main (35')	1
	R1725001	Harness, Main (25')	1
	R1745001	Harness, Main (45')	1
7	R1711001	Harness, Extension *optional* (for suspension steering only)	1
8	R1703001	Harness, Plug	1
*	KL400035	Light Kit includes Items 4-8 for 35' Header Storage Unit	1
*	KL400025	Light Kit includes Items 4-8 for 25' Header Storage Unit	1
*	KL400045	Light Kit includes Items 4-8 for 45' Header Storage Unit	1

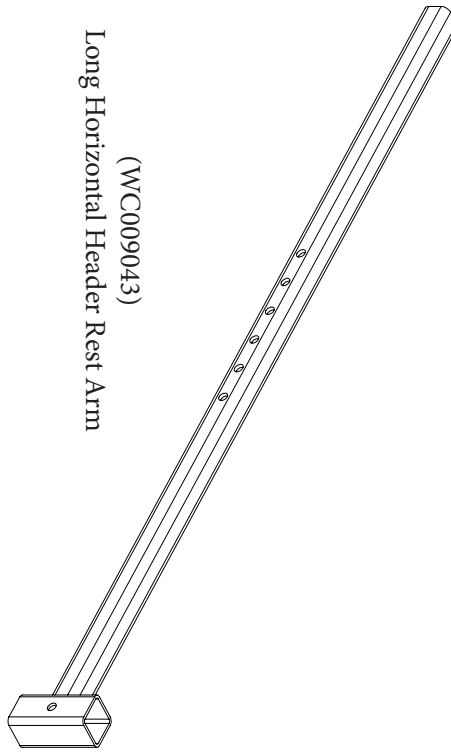


Item	Part #	Description	Quantity
1	WC009041	Header Rest Pivot Arm	1
2	WC009040	Header Rest Pivot Mount	1
3	R0239810	U-Bolt, Grd 8: 3/4", 8" x10"	2
4	R0610009	Washer, Lock: 3/4"	4
5	R0330109	Nut, Grd 8: 3/4"	4
6	R0806401	Bent Pin: 5/8" x4"	2
7	R0806301	Bent Pin: 5/8" x3"	2
8	R0812600	Hairpin Cotter: 0.125" x2-9/16"	4

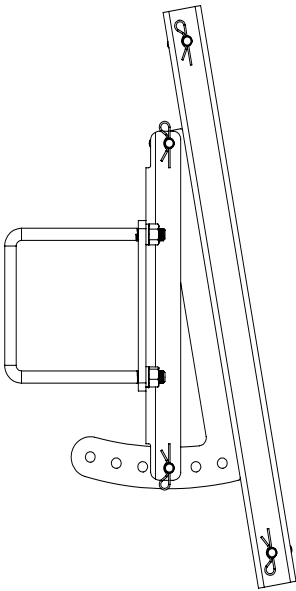
Horizontal Header Rest  
(WC009042)



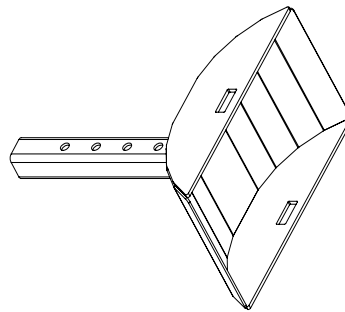
Long Horizontal Header Rest Arm  
(WC009043)



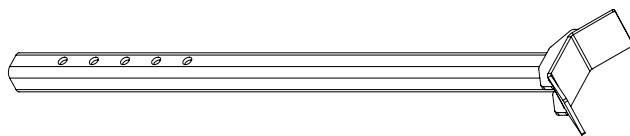
Header Rest Assembly  
(AC009006)



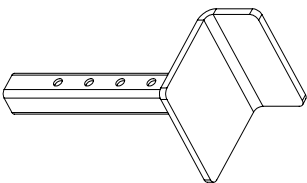
Pick-Up Header Wheel Rest  
(WC009048)



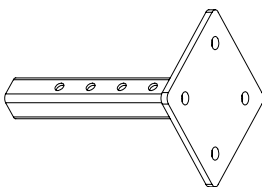
Back Vertical Tube Frame Rest  
(WC009047)



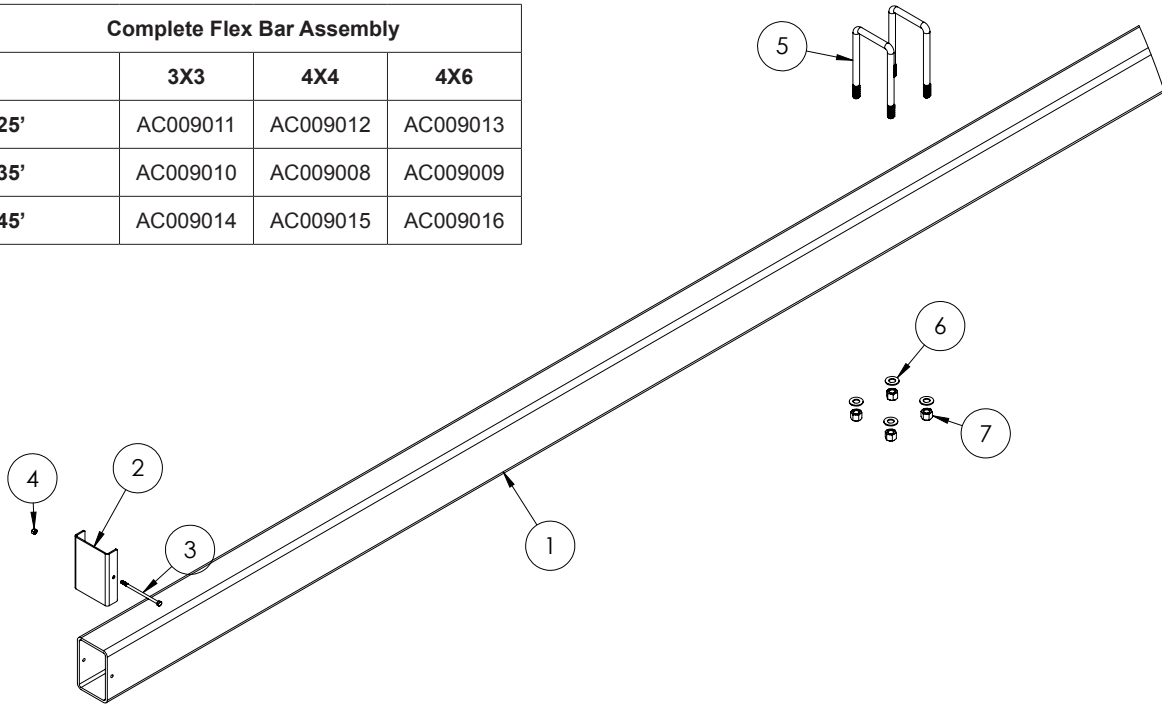
Back Header Rest  
(WC009045)



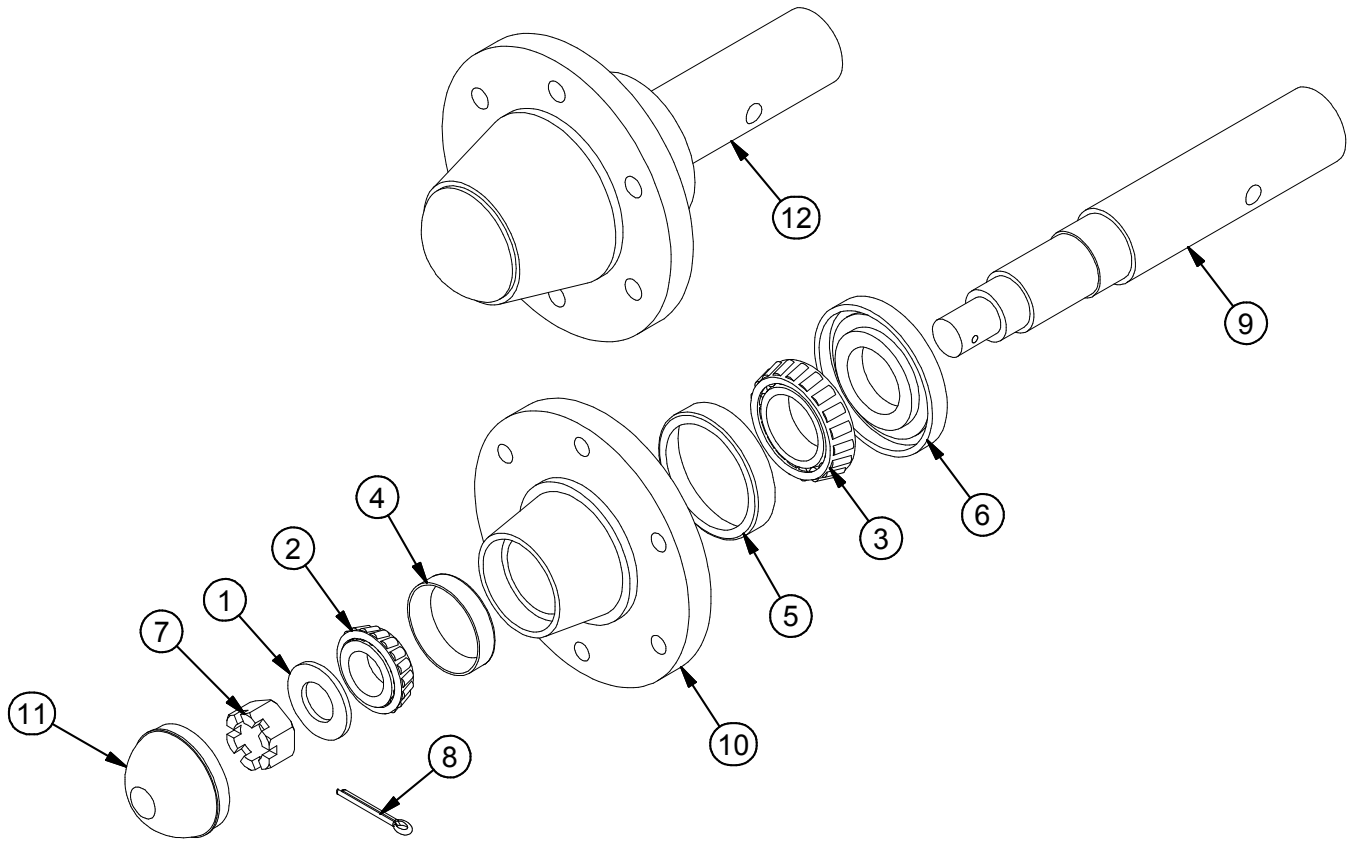
Front Header Rest  
(WC009046)



Complete Flex Bar Assembly			
	3X3	4X4	4X6
25'	AC009011	AC009012	AC009013
35'	AC009010	AC009008	AC009009
45'	AC009014	AC009015	AC009016



Option A - 6X4 Flex Support Bar Assy				Option B - 4X4 Flex Support Bar Assy			
Item	Part #	Description	Quantity	Item	Part #	Description	Quantity
1a	PT469001	Flex Support Beam: 6" x 4" x 1/4"W (37')	1	1a	PT449006	Flex Support Beam: 4" Sq x 1/4"W (37')	1
1b	PT469003	Flex Support Beam: 6" x 4" x 1/4"W (27')	1	1b	PT449007	Flex Support Beam: 4" Sq x 1/4"W (27')	1
1c	PT469004	Flex Support Beam: 6" x 4" x 1/4"W (47')	1	1c	PT449008	Flex Support Beam: 4" Sq x 1/4"W (47')	1
2	PP019002	End Cap	2	2	PP019001	End Cap	2
3	R0110250	Bolt, Grd 5: 1/4" x 5"	2	3	R0110250	Bolt, Grd 5: 1/4" x 5"	2
4	R0410102	Nut, Lock: 1/4"	2	4	R0410102	Nut, Lock: 1/4"	2
5	R0218480	U-Bolt, Grd 5: 5/8" - 8" x 4"	8	5	R0218460	U-Bolt, Grd 5: 5/8" - 6" x 4"	8
6	R0510108	Washer, Flat: 5/8"	4	6	R0510108	Washer, Flat: 5/8"	4
7	R0410108	Nut, Lock: 5/8"	8	7	R0410108	Nut, Lock: 5/8"	8
Option C - 3X3 Flex Support Bar Assy							
Item	Part #	Description	Quantity	Item	Part #	Description	Quantity
1a	PT339005	Flex Support Beam: 3" Sq x 3/16"W (37')	1	4	R0410102	Nut, Lock: 1/4"	2
1b	PT339006	Flex Support Beam: 3" Sq x 3/16"W (27')	1	5	R0218350	U-Bolt, Grd 5: 5/8" - 5" x 3"	8
1c	PT339007	Flex Support Beam: 3" Sq x 3/16"W (47')	1	6	R0510108	Washer, Flat: 5/8"	4
2	PP019009	End Cap	2	7	R0410108	Nut, Lock: 5/8"	8
3	R0110250	Bolt, Grd 5: 1/4" x 5"	2				



Item	Part #	Description	CTD #
1	R0510111	Washer, Flat: 1"	
2	R1113801	Bearing, Roller, Tapered: 1-3/8	LM48548
3	R1117501	Bearing, Roller, Tapered: 1-3/4	25580
4	R1213801	Race, Bearing: 1-3/8	LM48510
5	R1217501	Race, Bearing: 1-3/4	25520
6	R1320001	Seal, Grease	SE30
7	R1410001	Nut, Castle: 1"	
8	R1619251	Pin, Cotter: 3/16" x 2-1/2"	
9	R9904005	Spindle, Wheel: 2.75 Seal to Hole Center	
10	R9905001	Hub, Wheel	
11	R9906001	Cap, Dust	DC-15
*	KB120001	Kit, Wheel Bearing & Seal (includes items 2-6)	

