

**MANDAKO**



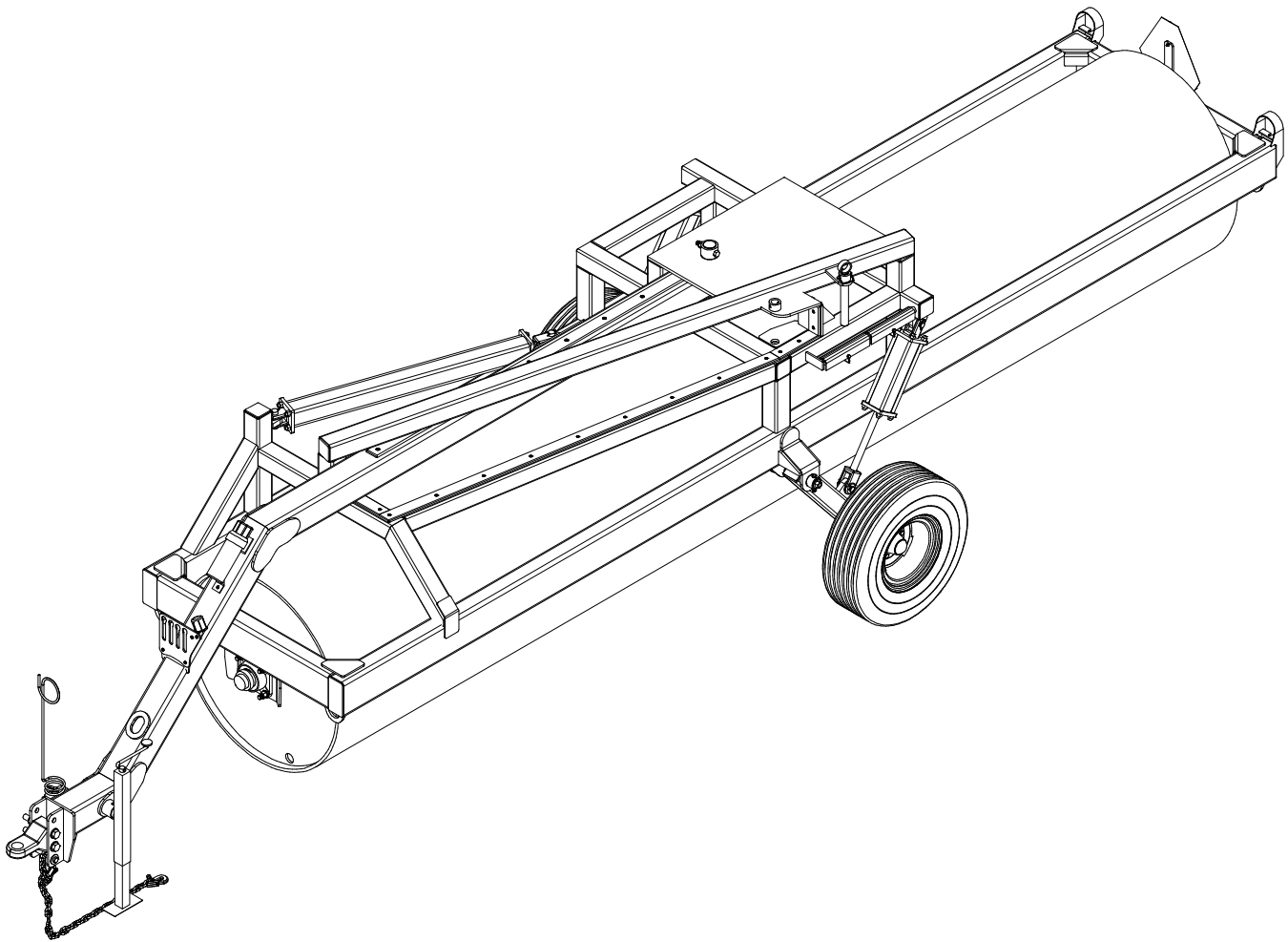
**INLINE  
LAND ROLLER  
30 SERIES**

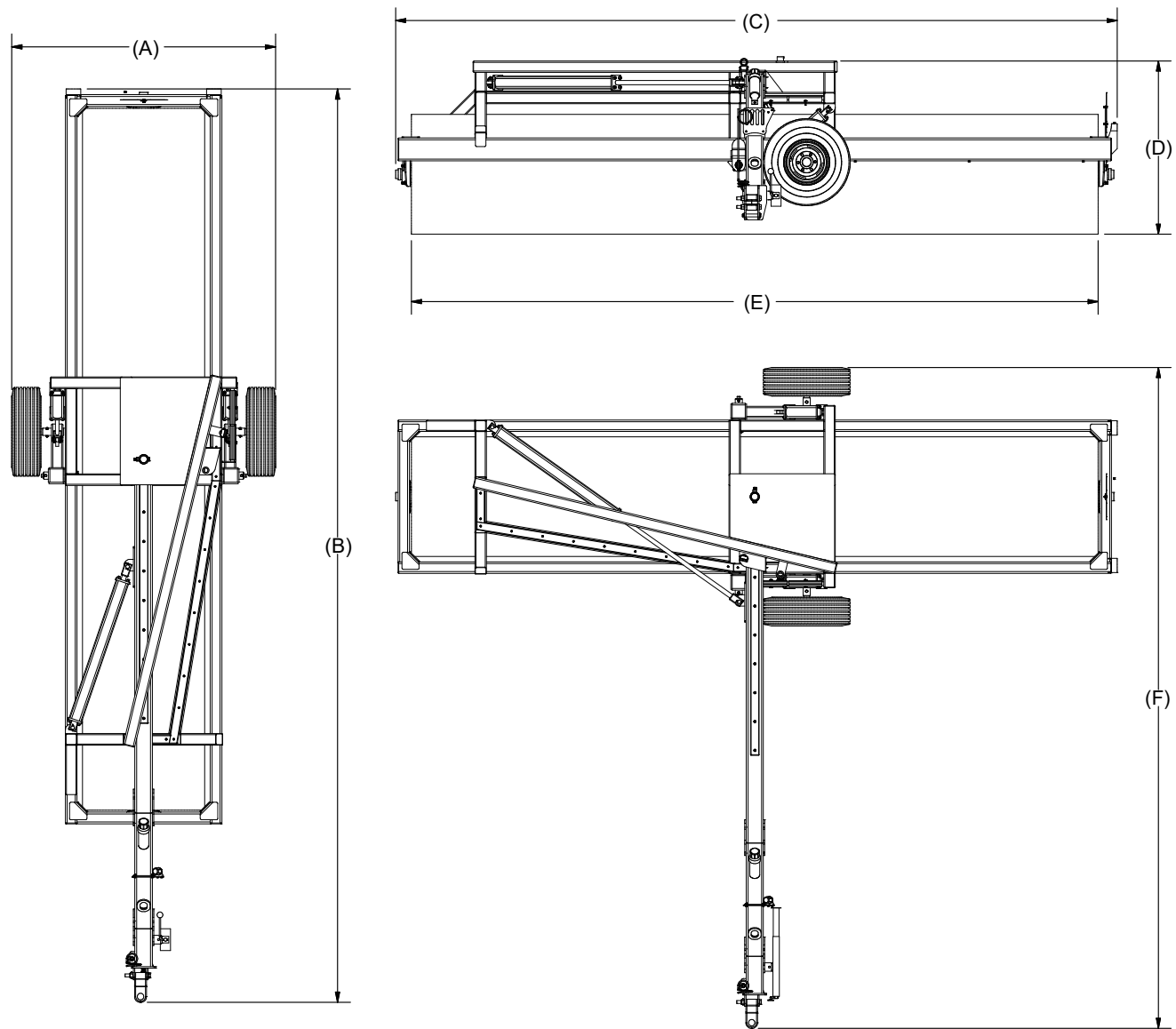
**PARTS MANUAL**



**Box 379 | 12159B Hwy 306  
Plum Coulee, MB R0G 1R0  
Toll-Free: 1-888-525-5892  
Telephone: (204) 829-3092  
Fax: (204) 829-7712  
Email: [parts@mandako.com](mailto:parts@mandako.com) / [info@mandako.com](mailto:info@mandako.com)  
<http://www.mandako.com/partsmanuals>**

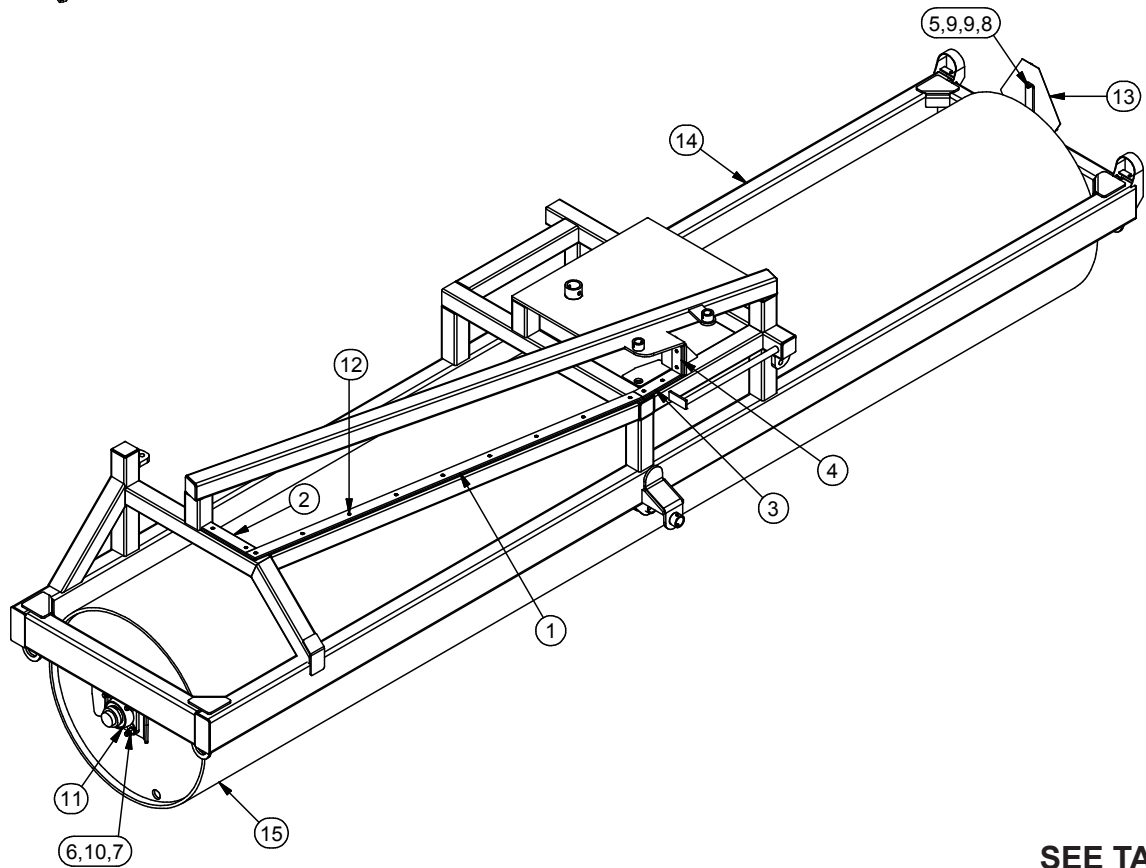
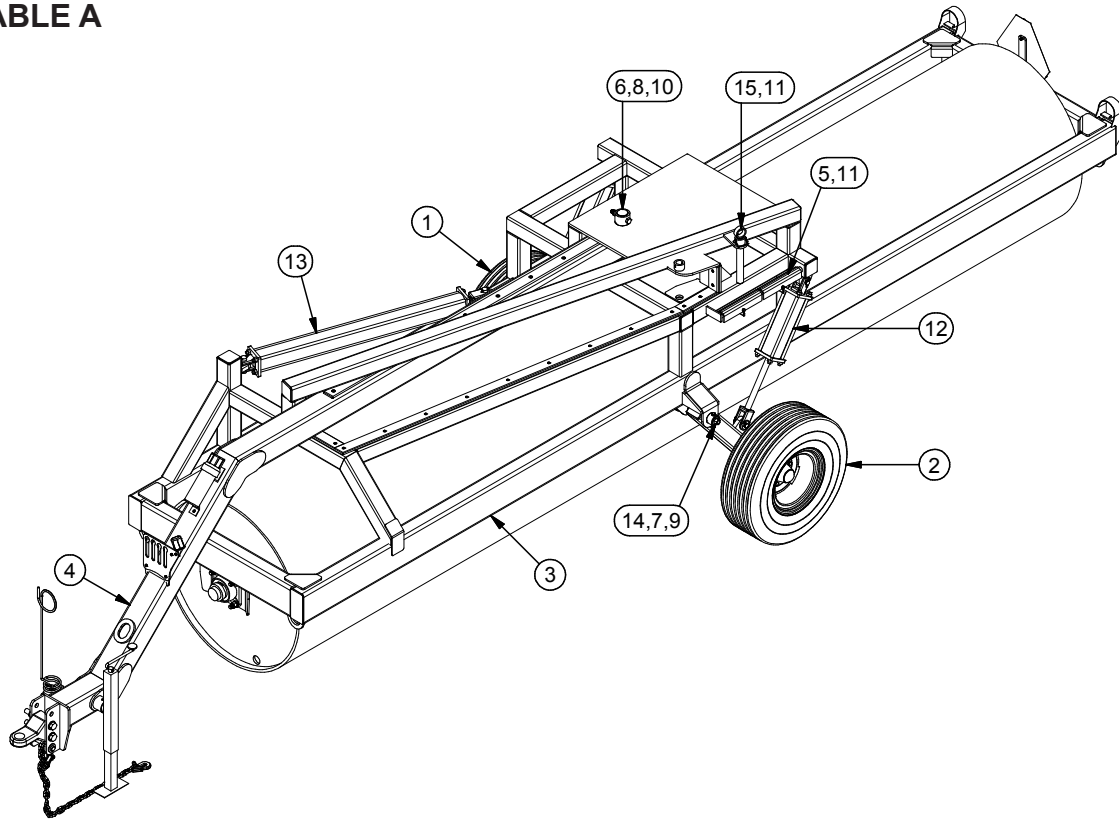
Machine Overview .....	2
Machine Dimensions .....	3
Main Frame Assembly .....	4
Main Frame Assembly .....	5
Hitch & Axle Assembly .....	6
Hitch & Axle Assembly .....	7
Hydraulics .....	8
Hydraulics .....	9
Hub/Spindle Assembly .....	10
Lighting & Electrical .....	11
Blank Page .....	12
Acre Counter .....	13





DIMENSION	UNIT SIZE		
	13'	15'	20'
(A)	7'-7"	7'-7"	7'-7"
(B)	18'-3"	22'-8"	26'-2"
(C)	14'-1"	16'-7"	21'-1"
(D)	5'-1"	5'-1"	5'-1"
(E)	13'-1"	15'-7"	20'-1"
(F)	15'	18'-2"	19'-4"

SEE TABLE A

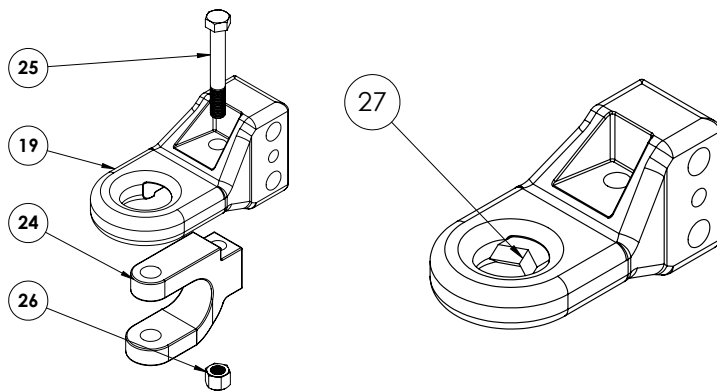
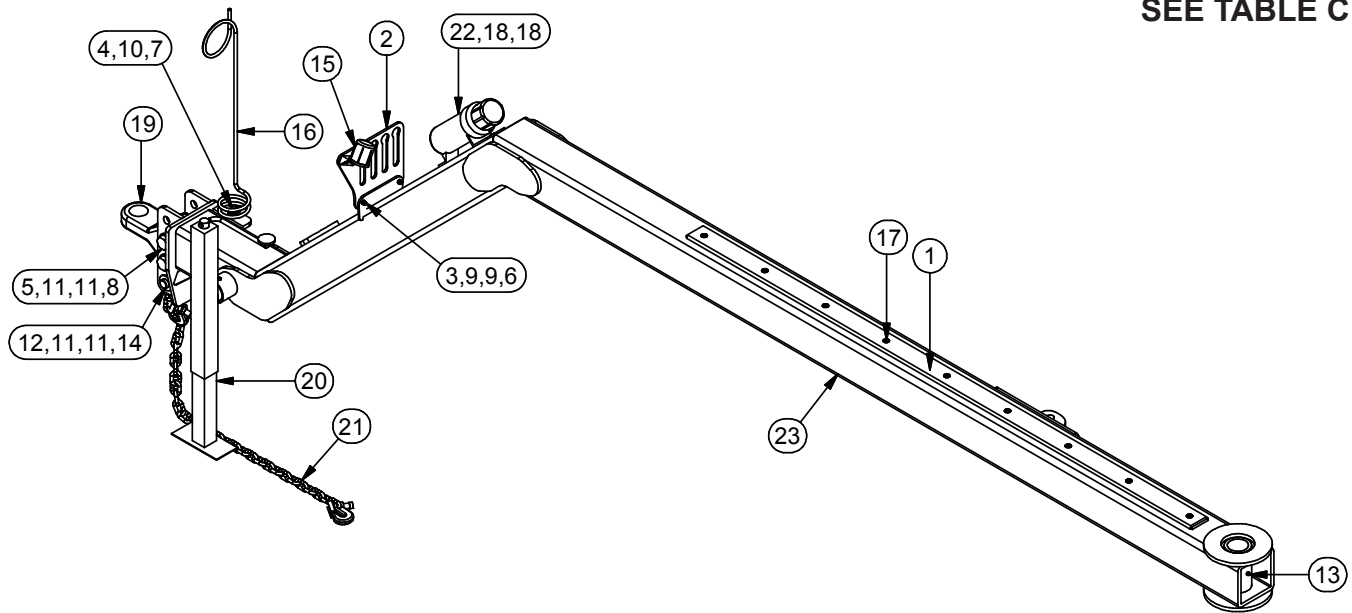


SEE TABLE B

<b>TABLE A</b>			
<b>Item</b>	<b>Part #</b>	<b>Description</b>	<b>Qty</b>
1	n/a	Axle Assembly (See Page 6 & 7)	1
2	n/a	Axle Assembly (See Page 6 & 7)	1
3 a)	n/a	Main Frame: 13'	1
3 b)	n/a	Main Frame: 15'	
3 c)	n/a	Main Frame: 20'	
4 a)	n/a	Hitch Frame Assembly: 13' (See Page 6 & 7)	1
4 b)	n/a	Hitch Frame Assembly: 15' (See Page 6 & 7)	
4 c)	n/a	Hitch Frame Assembly: 20' (See Page 6 & 7)	
5	PP032021	Cylinder Stop: 1-1/2" x 12" (Includes Item 11)	2
6	PR255007	Pin: 2-1/2" x 12-1/2"	3
7	R0130635	Bolt: 1/2" x 3-1/2"	2
8	R0130950	Bolt: 3/4" x 5"	4
9	R0430106	Nut, Lock: 1/2"	1
10	R0430109	Nut, Lock: 3/4"	4
11	R0804281	Pin, Wire Latch: 3/8" x 2-1/2"	2
12	n/a	Cylinder, Tie-Rod: 4" x 12" (See Page 8 & 9)	2
13	n/a	Cylinder, Tie-Rod: 4" x 48" (See Page 8 & 9)	1
14	PR205004	Pin: 2" x 11-1/2"	1
15	PR151001	Pin: 1-1/2" x 12"	1

<b>TABLE B</b>			
<b>Item</b>	<b>Part #</b>	<b>Description</b>	<b>Qty</b>
1 a)	n/a	Wear Strip, Main, 13' Inline: 2-1/2" x 68" (Inquire)	1
1 b)	n/a	Wear Strip, Main, 15'&20' Inline: 2-1/2" x 89-1/2" (Inquire)	
2	n/a	Wear Strip, Main: 2-1/2" x 12" (Inquire)	1
3	n/a	Wear Strip, Main: 2-1/2" x 12" (Inquire)	1
4	n/a	Wear Strip, Main: 2-1/2" x 6-3/4" (Inquire)	1
5	R0130210	Bolt: 1/4" x 1"	4
6	R0120925	Bolt, Fine: 3/4" x 2-1/2"	8
7	R0340109	Nut, Lock, Fine: 3/4"	8
8	R0430102	Nut, Lock: 1/4"	4
9	R0510102	Washer, Flat: 1/4"	4
10	R0591009	Washer, Belleville: 3/4"	8
11 a)	R1100010	Bearing, Flange: 3" Bore, 6" Center-Center	1
11 b)	R1100016	Bearing only: 3" Bore	
12	R0160401	Bolt, V-Head, Hex Drive CS: 3/8" x 1"	17
13	R9913001	SMV Sign	1
14 a)	n/a	Main Frame: 13' (Inquire)	1
14 b)	n/a	Main Frame: 15' (Inquire)	
14 c)	n/a	Main Frame: 20' (Inquire)	

SEE TABLE C



SEE TABLE D

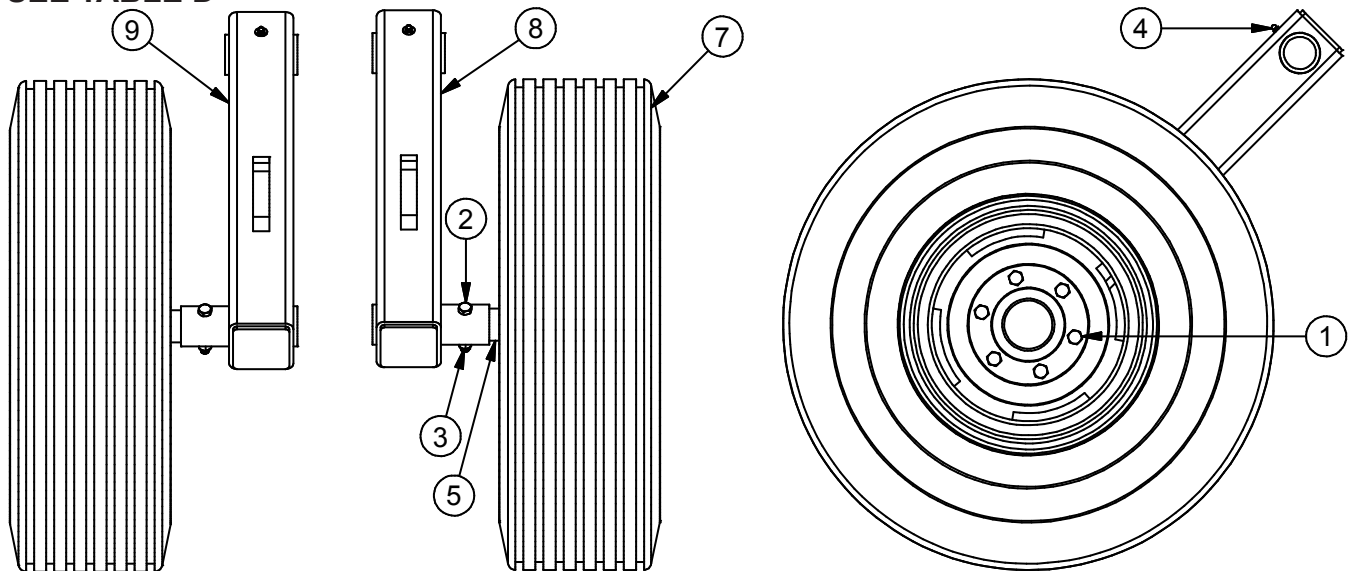
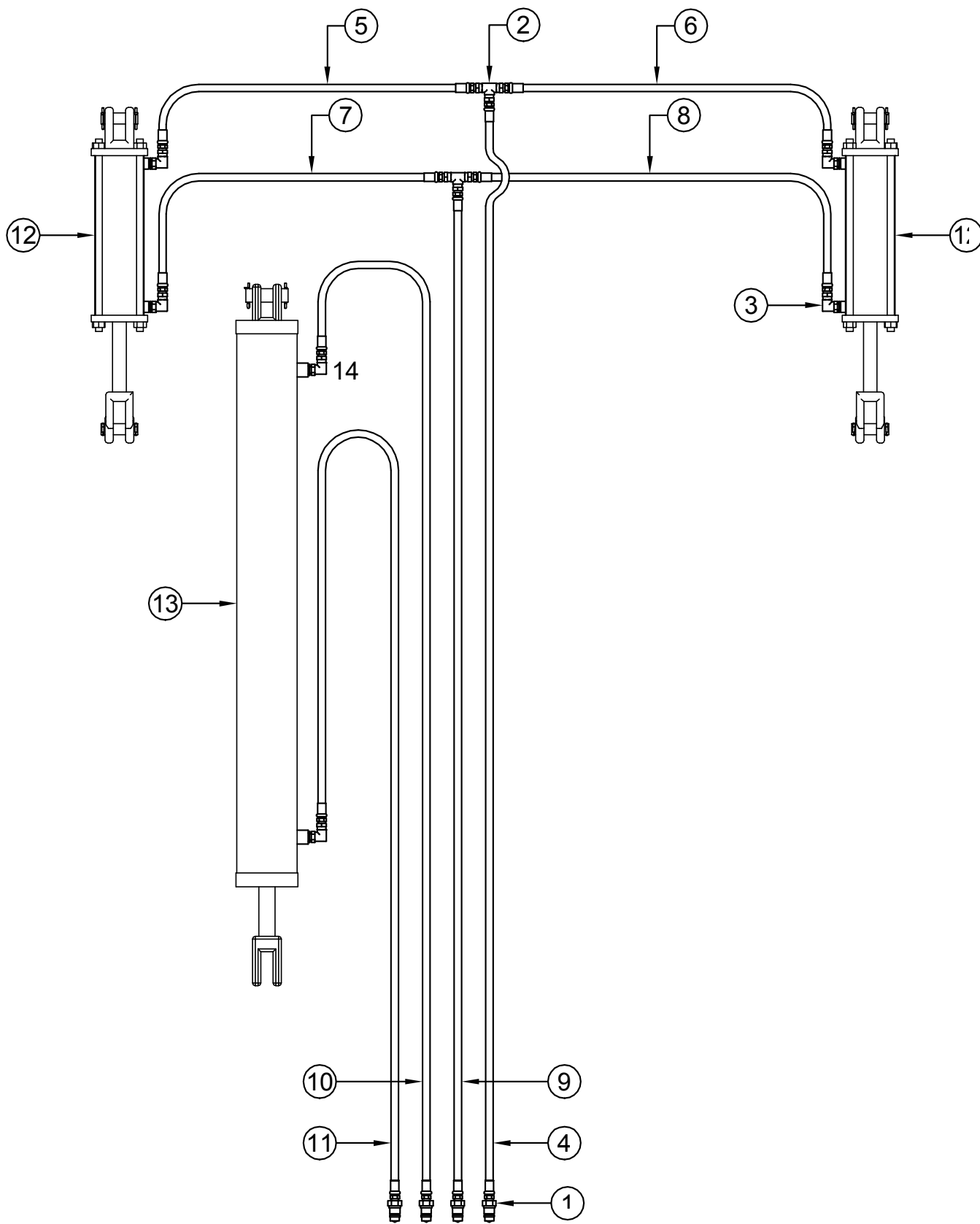


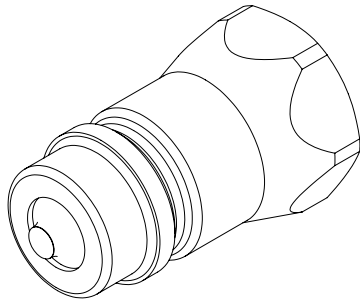


TABLE C			
Item	Part #	Description	Qty
1 a)	n/a	Wear Strip, Hitch, 13' Inline: 2-1/2" x 74" <b>(Inquire)</b>	1
1 b)	n/a	Wear Strip, Hitch, 15'&20' Inline: 2-1/2" x 96" <b>(Inquire)</b>	
2	PP010001	Plate, Storage, Hydraulic Coupler	1
3	R0130210	Bolt: 1/4" x 1"	4
4	R0130620	Bolt: 1/2" x 2"	1
5	R0131180	Bolt: 1" x 8"	2
6	R0430102	Nut, Lock: 1/4"	4
7	R0430106	Nut, Lock: 1/2"	1
8	R0430111	Nut, Lock: 1"	2
9	R0510102	Washer, Flat: 1/4"	4
10	R0510106	Washer, Flat: 1/2"	1
11	R0530211	Washer, Flat: 1"	4
12	R0810601	Pin, Clevis: 1" x 6"	1
13	R150250	Zerk, Grease:	1
14	R1618900	Cotter Pin: 3/16" x 2"	1
15	R1701018	Electrical Plug Protector	1
16	R1899001	Retainer, Spring Loaded: Hydraulic Hose	1
17	R0160401	Bolt, V-Head, Hex Drive CS: 3/8" x 1"	9
18	R2000000	Self-Tapping Screw: #12 x 1-1/2"	2
19	R9901003	Pintle Hitch: Cat 3, 3" Spacing	1
20 a)	R9909002	Jack, Hitch: Round Reciever	1
20 b)	R9909004	Jack, Hitch: Square Reciever	
21	R9910001	Safety Chain: 3/8"	1
22	R9912001	Operators Manual Canister	1
23 a)	n/a	Inline Hitch Frame: 13' <b>(Inquire)</b>	1
23 b)	n/a	Inline Hitch Frame: 15' <b>(Inquire)</b>	
23 c)	n/a	Inline Hitch Frame: 20' <b>(Inquire)</b>	
24	AA001090	Clevis Hitch Insert <b>(Includes Items 25, 26)</b>	
25	R0130955	Bolt: 3/4" x 5-1/2"	
26	R01430109	Nut, Lock: 3/4"	
27	AA001089	Pintle Wedge Kit	

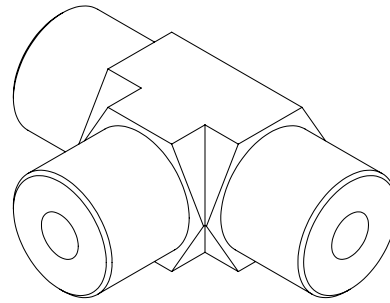
TABLE D			
Item	Part #	Description	Qty
1	R0150713	Bolt, Lug: 9/16" x 1-1/4"	12
2	R1030635	Bolt: 1/2" x 3-1/2"	2
3	R0430106	Nut, Lock: 1/2"	2
4	R1502502	Zer, Grease: 1/8" NPT, 45°	2
5	R9903012	Hub/Spindle Assembly <b>(See Page 10)</b>	2
7 a)	KW100002	Tire & Wheel Assembly: ST235/85 R16G, 8-Bolt, Yellow	2
7 b)	KW100002-01	Tire & Wheel Assembly: ST235/85 R16G, 8-Bolt, Black	
7 c)	R9907004	Tire: ST235/85 R16G	
7 d)	R9908007	Wheel: 16" x 8", 8-Bolt, 1-1/8" Offset, Yellow	
7 e)	R9908007-01	Wheel: 16" x 8", 8-Bolt, 1-1/8" Offset, Black	
8	WC005130	Inline Axle Arm: Right	1
9	WC005131	Inline Axle Arm: Left	1



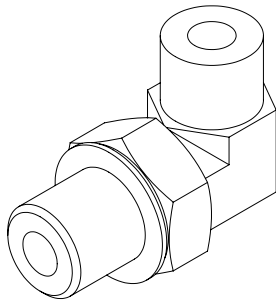
1



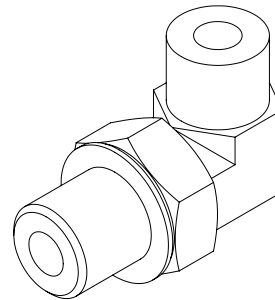
2



3

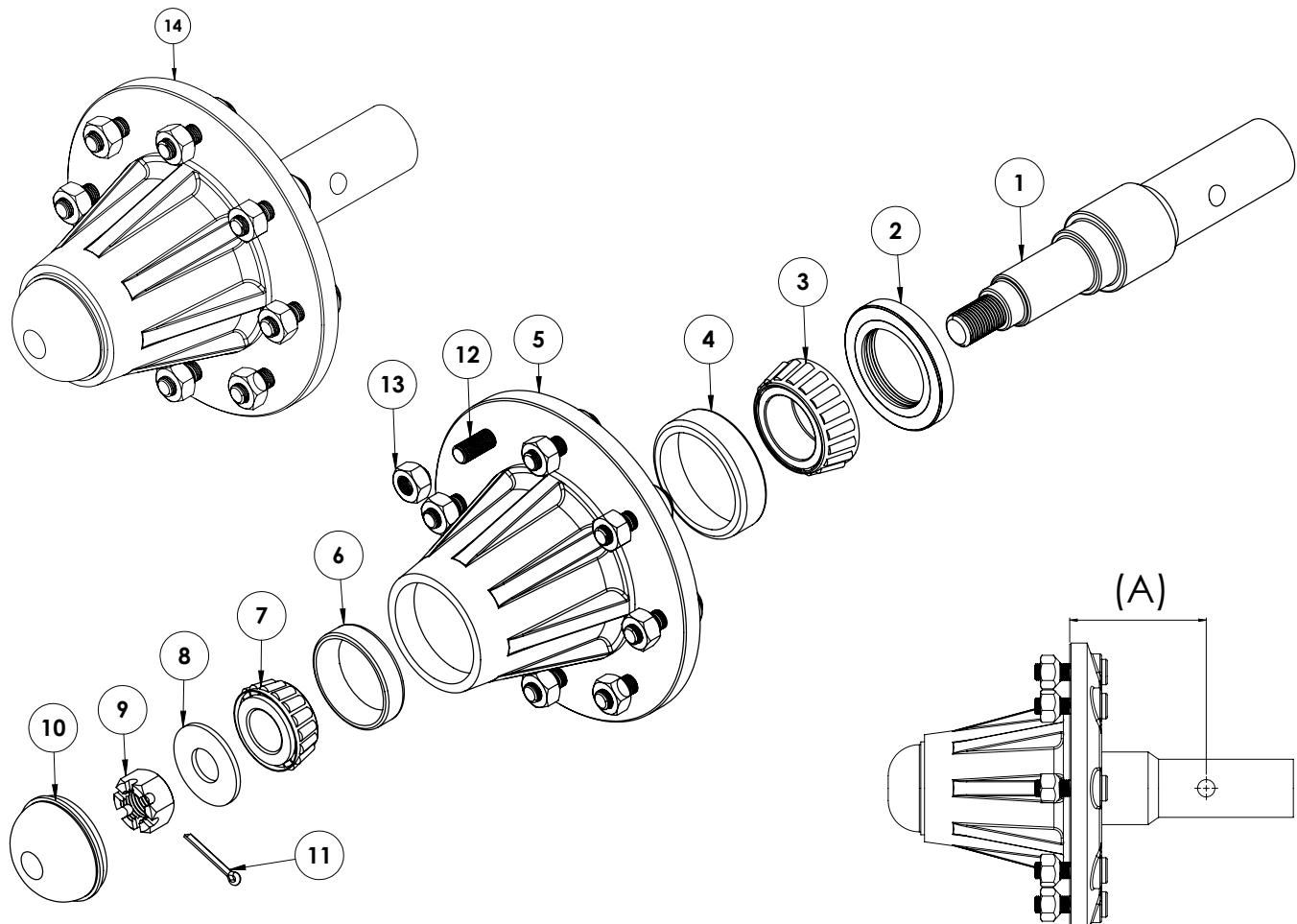


14

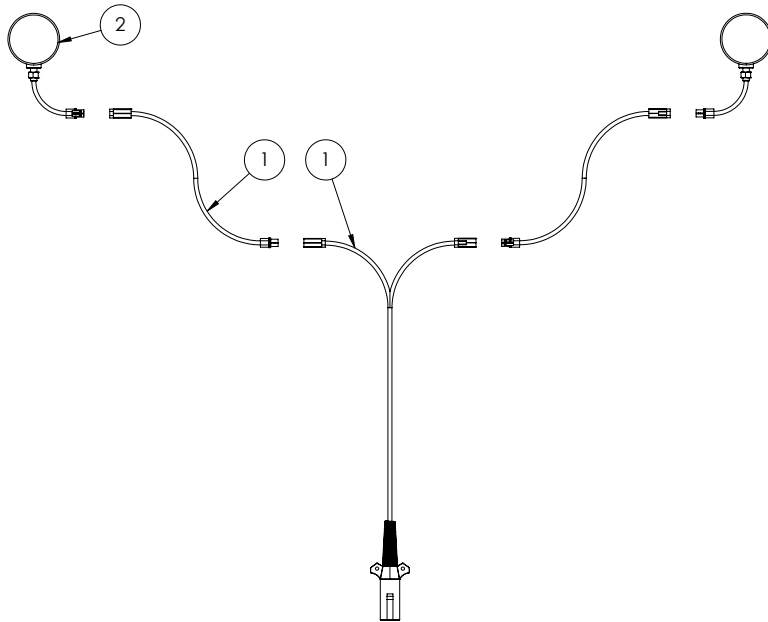


**TABLE E**

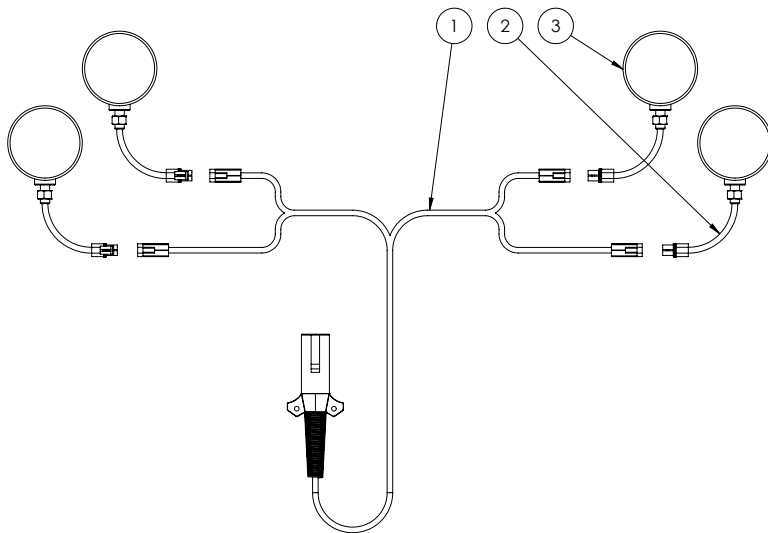
Item No.	Part No.	Description	Repair Kit No.
1	R1802046	Tip, Quick Connect: #8 FPT	
2	R1802031	Tee: #6 MPT - #6 MPT - #6 MPT	
3	R1802007	Elbow, 90°: #6 MORFS - #8 MORB	
4 a)	n/a	Hydraulic Hose: 3/8" x 294"	
4 b)	n/a	Hydraulic Hose: 3/8" x 258"	
4 c)	n/a	Hydraulic Hose: 3/8" x 250"	
5	n/a	Hydraulic Hose: 3/8" x 18"	
6	n/a	Hydraulic Hose: 3/8" x 31"	
7	n/a	Hydraulic Hose: 3/8" x 36"	
8	n/a	Hydraulic Hose: 3/8" x 50"	
9 a)	n/a	Hydraulic Hose: 3/8" x 231"	
9 b)	n/a	Hydraulic Hose: 3/8" x 231"	
9 c)	n/a	Hydraulic Hose: 3/8" x 250"	
10 a)	n/a	Hydraulic Hose: 3/8" x 328"	
10 b)	n/a	Hydraulic Hose: 3/8" x 282"	
10 c)	n/a	Hydraulic Hose: 3/8" x 218"	
11 a)	n/a	Hydraulic Hose: 3/8" x 372"	
11 b)	n/a	Hydraulic Hose: 3/8" x 332"	
11 c)	n/a	Hydraulic Hose: 3/8" x 300"	
12 a)	R1941201	Cylinder, Tie-Rod, Yellow: 4" x 12"	KR100000
12 b)	R1941201-01	Cylinder, Tie-Rod, Black: 4" x 12"	KR100000
13	R1944801	Cylinder, Tie-Rod, Black: 4" x 48"	KR100028
14	R1802044	Elbow, Restrictor, 90°: #6 MORFS - #8 MORB	
<b>Standard 3/8" hydraulic hose</b>			



Item	Part #	Description	Reference #
1	R9903012	Complete Hub/Spindle Assembly: 8-Bolt, 2.48" Machined	
2	R1300001-02	Seal, Grease: 8-Bolt Hub, Labyrinth	
3	R1100018	Bearing, Tapered, 8-Bolt Hub Inner (Premium)	3780
4	R1200006	Race, 8-Bolt Hub Inner (Premium)	3720
5	R9905006	Hub, Cast: 8-Bolt (Includes Races)	
6	R1100017	Bearing, Tapered, 8-Bolt Hub Outer (Premium)	2790
7	R1200005	Race, 8-Bolt Hub Outer (Premium)	2720
8	R0590100	Washer, Flat, Hardened: 1"	
9	R1410001	Nut, Castle, Fine: 1"	
10	R9906006	Dust Cap: 8-Bolt Hub	
11	R1618900	Cotter Pin: 3/16" x 2"	
12	R0150723	Studded Bolt: 9/16" x 2-1/2"	
13	R0350107	Nut, Lug, Fine: 9/16"	
14	R9904009	Spindle: 8-Bolt, 2.48" machined	
*	KB100002-11	Premium Rebuild Kit: 8-Bolt (Includes 2,3,4,6,7)	
*	KB100002-12	Premium Rebuild Kit: 8-Bolt (Includes 2-4,6-10)	



Item	Part #	Description
1	KL100030	Light Kit, Inline Land Roller
2	R1701001	Light, Hazard, Incandescent: Red/Amber



Item	Part #	Description
1	KL100031	Light Kit, Inline Land Roller, Updated
2	R1701011	Light, Hazard, LED: Amber/Amber
3	R1701012	Light, Hazard, LED: Red



## LAND ROLLER ACRE COUNTER CONVERSION CHART

42" Diameter Drum Land Roller	
6'	0.73
8'	0.97
10'	1.21
12'	1.45
15'	1.82
20'	2.42
30'	3.63
34'	4.12
40'	4.85
42'	5.09
45'	5.45
50'	6.06
60'	7.27
61'	7.39
62'	7.51
65'	7.88
70'	8.48
75'	9.09
80'	9.69
85'	10.30

36" Diameter Drum Land Roller	
6'	0.73
8'	0.97
10'	1.21
12'	1.45
15'	1.82
20'	2.42
30'	3.63
34'	4.12
40'	4.85
42'	5.09
45'	5.45
50'	6.06
60'	7.27
61'	7.39
62'	7.51
65'	7.88
70'	8.48
75'	9.09
80'	9.69
85'	10.30

\*\* NOTE \*\*  
Acre Counters are specifically calibrated for either a 42" or 36" diameter drum. This is why the multiplier numbers are identical.

\*\* USING THE CONVERSION CHART \*\*

- Step 1: Always remember to check acre counter reading before you start rolling. **IMPORTANT!!** Write this number down!
  
- Step 2: When finished rolling, calculate the difference from beginning to end of the acre counter
  
- Step 3: Multiply acre counter number (ending number minus starting number) with the number as associated on the chart above. Make sure to use the right land roller LENGTH and DRUM SIZE

ACRE COUNTERS		
Item	Part No.	Description
1	AA001001	Acre Counter w/Bracket: 36" Drum (560 rev/mile)
2	AA001002	Acre Counter w/Bracket: 42" Drum (480 rev/mile)

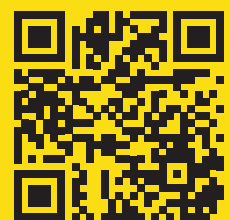


REVISION: 2.0

PART #: R9912013

RELEASED: JANUARY 01, 2019

MANDAKO AGRI MARKETING (2010) LTD.



Printed in Canada