

TOUGH JOBS NEED A TOUGH TOOL

FEATURES

- Minimum Maintenance Grease Points
- Super Flex Frame
- Hub Size: 6-Bolt (H618) or 8-Bolt (optional)
- 800+ lbs. Trips
- Floating Hitch
- Pintle Cat 3 Hitch
- Pintle Cat (4 optional)
- 3-Row HD Tine Harrow
- 4-Row HD Tine Harrow (optional)
- Replaceable conex bushings on shank
- 1-1/4" thick x 2" wide HD Shanks
- 12" Shank Spacing
- Mechanical Depth Control
- Spring Down Pressure on harrows
- Brakes on casters for smooth road transport
- Frame Tubing Size: 4 x 4 x 1/4 & 3/8"
- 12.5 L Floatation Tire

SIZES AVAILABLE

40' | 46' | 55' | 65'



Super Flex Frame



1-1/4" thick x 2" wide HD Shanks with 12" Spacing

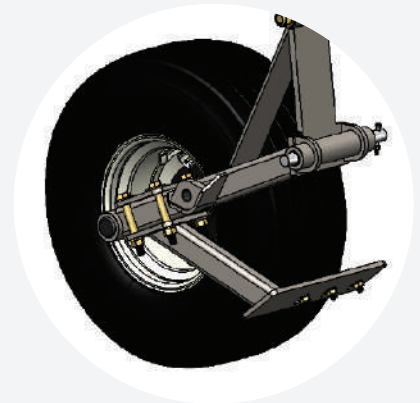


Single Point Depth Control



Keeping your cultivator parallel to the ground is the best way to maximize performance. Mandako's Chisel Flex is made with multiple flex points and a floating hitch to do just that. The unit has complete flexibility in all sections that allow it to follow the contours of the land, work in various ground conditions, reduce stress on the frame and keep a consistent depth of your choice. The Chisel Flex comes with HD 1-1/4" thick x 2" wide Shanks and 12" spacing to cover every inch of your field.

Tough jobs need a tough tool. That's why we made the Chisel Flex. Comes with 800 Trip LBS. 4" x 4" x 1/4" frame tubing and 3/8" in strategic locations. With adjustable spring down pressure achieve the perfect desired finish. The shanks are designed to stay firmly in the ground to take on tough field conditions, helping you to manage weeds with authority while creating flat seedbeds for consistent seed depth and smooth planter operation.



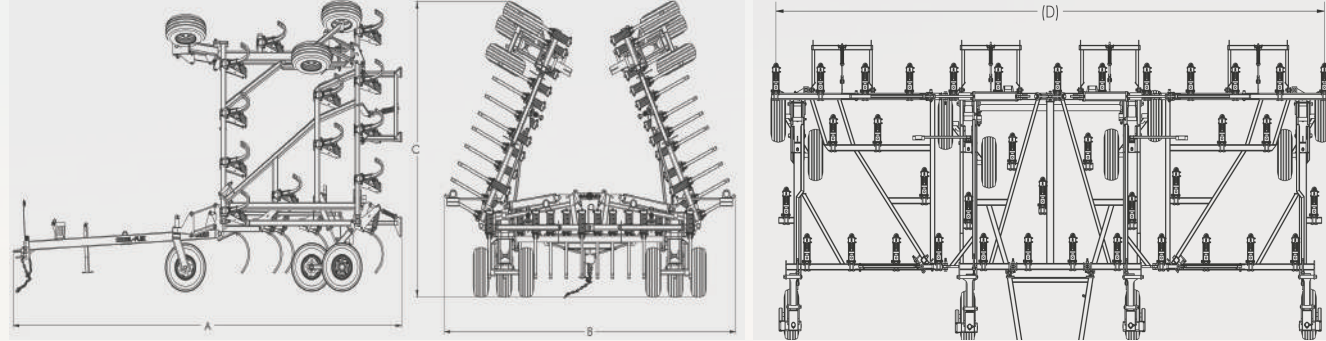
Chisel Flex Mud Scrapers (optional)



CHISEL FLEX SPECIFICATIONS



CHISEL FLEX



Unit Size	40'	46'	55'	65'
Frame Sections	3	5	5	5
Transport Length (w/o harrows) (A)	24'-8"	24'-8"	24'-8"	24'-8"
Transport Width (w/o harrows) (B)	19'-5"	21'-9"	19'-5"	19'-5"
Transport Height (w/o harrows) (C)	16'	16' 3"	16'	16'
Working Width (w/o harrows) (D)	40'	46'	55'	65'
Flex Pivots	7	11	11	11
Depth Capabilities	1" - 6"	1" - 6"	1" - 6"	1" - 6"
Chisel Spacing	12"	12"	12"	12"
# of Chisels	40	46	55	65
Tine Spacing (3-Row)	4"	4"	4"	4"
Tine Spacing (4-Row)	3"	3"	3"	3"
Hyd. Red. (@1800PSI)	10 GPM (38LPM)	10 GPM (38LPM)	10 GPM (38LPM)	10 GPM (38LPM)
Hyd. Red. (Ports)	2	2	2	2
Shank Trip (lbs)	800	800	800	800
Horsepower Sugg. (per foot)	8-10	9-11	9-11	9-11
Wheel Hub	6-Bolt 320/70R15	6-Bolt/8-Bolt 320/70R15	6-Bolt/8-Bolt 320/70R15	6-Bolt/8-Bolt 320/70R15
Tire Size	12.5L	12.5L	12.5L	12.5L
Shank Angle	50°	50°	50°	50°
Hitch Length	13' 8"	13' 10"	13' 10"	13' 10"
Unit Weight (w/3-Row Tine)*	16,565 lbs	21,570 lbs	23,490 lbs	26,150 lbs
Unit Weight (w/4-Row Tine)*	16,925 lbs	22,020 lbs	24,000 lbs	26,740 lbs

*Approximate Weight



Mandako Agri Marketing (2010) Ltd.
12159B Hwy 306
Box 379
Plum Coulee, MB R0G 1R0

(888) 525-5892
www.mandako.com



Printed in Canada
1/61.1